



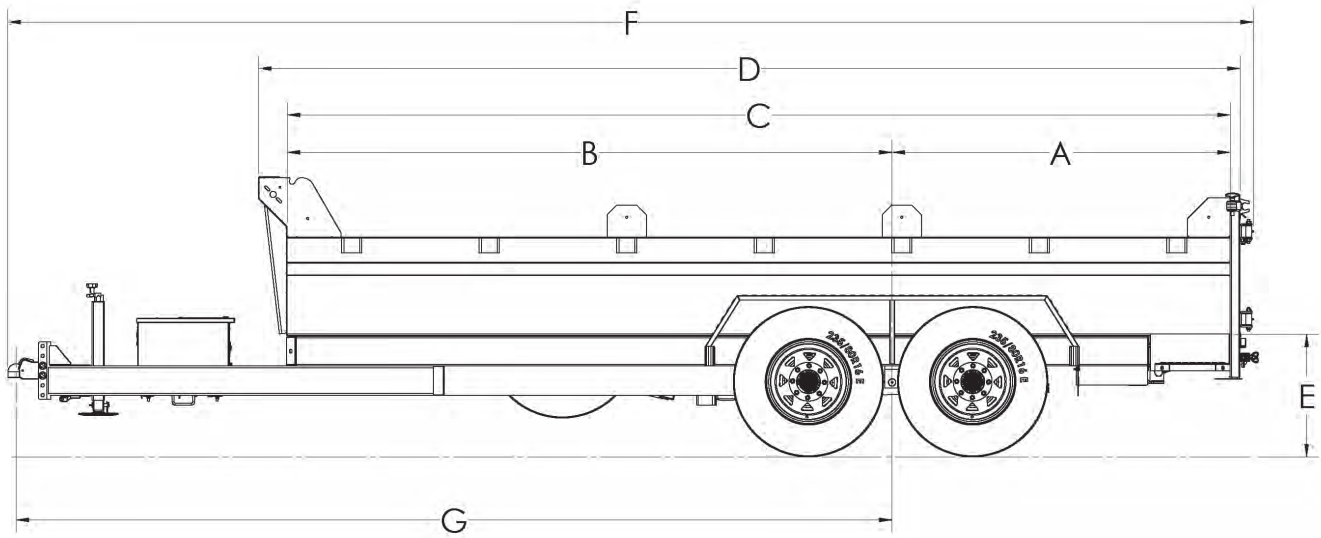
Standard Features

- Stake Pockets
- Scissor Hoist – Power Up / Power Down
- Adjustable Coupler
- Aluminum Toolbox
- 110V Battery Charger
- 10W Solar Panel
- PPG DTM 2 Part Epoxy Paint
- Fully Enclosed Wiring
- HSS Structural Tubing
- Engineered Sill Design
- Spare Tire*
- Galvanized Steel Slide in Ramps*
- Roll Up Tarp*
- Rear Drop Down Stabilizer Jacks*
- Side Boards*

*Dealer Specific Options

Specifications

Axle:	(2) 7,000 lb. Lippert Spring	Floor & Wall:	10ga Floor / 12ga Wall
Hoist:	Champion C620T 14 Ton	Frame:	6 X 2 HSS
Jack:	7,000 lb. Top Wind Bolted	Lights:	LED
Ramp:	(2) 4,000 lb. Midspan Ramps (65 lbs. each)	Electric Plug:	7 Wire RV
Wheels:	235/80R16 E Steel	Safety Chains:	16,200 lb.
Tailgate:	Steel Barn Door & Spreader	Paint Specs:	PPG 2-Part Epoxy DTM
Coupler:	21,000 lb. Demco Adjustable	Dump Angle:	50°



Dimensions

Model	A	B	C	D	E	F	G	Box Width
SL716-14K	68 7/8"	123 1/8"	192"	199 7/8"	25"	253 9/16"	178 3/8"	82 1/2"

Model	Description	Net Weight	GVWR	Payload Cap.
SL716-14K	7' x 16' 14,000 lb. Tandem Axle Black/Charcoal	4,020 lb.	15,400 lb.	11,380 lb.



Specs are subject to change without notice. Please contact Southland Trailers Product Specialist for price confirmation on all Products. - Revised December 2025