

SL716-20KHS

7' x 16', 20,000 lb. High Side Tandem Axle Dump Trailer with 2-Way Tailgate



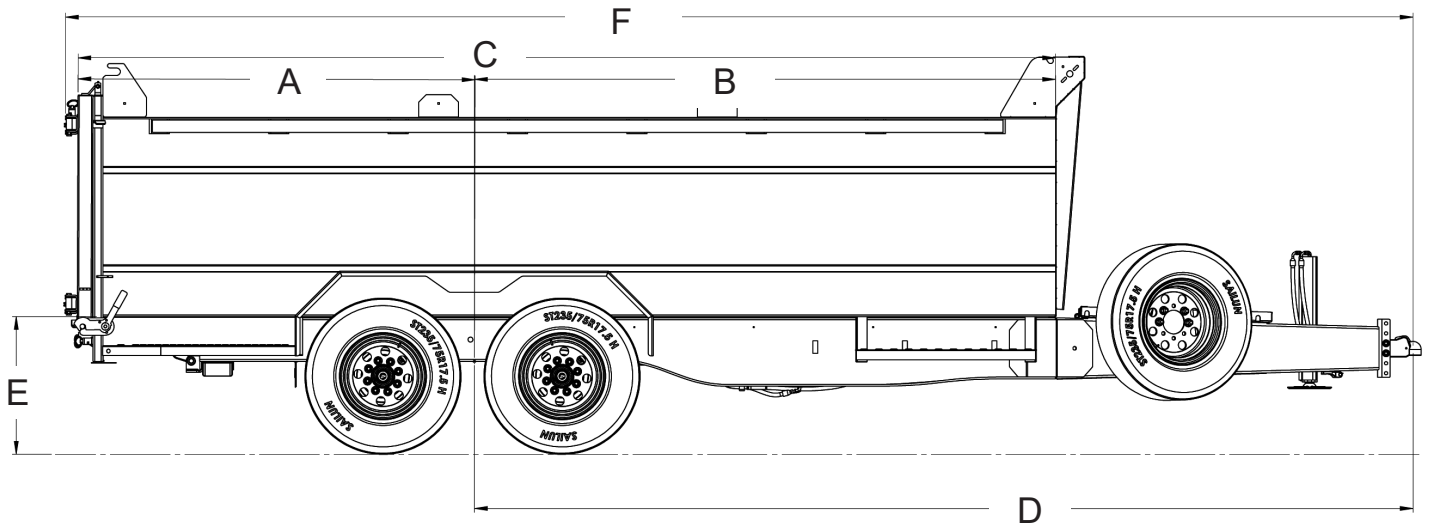
Standard Features

- Stake Pockets
- Scissor hoist – Power Up / Power Down
- Adjustable Coupler
- Aluminum Tool Box
- 110V Battery Charger
- PPG DTM 2 Part Epoxy Paint
- Spare Tire*
- Aluminum Slide in Ramps*
- Roll Up Tarp*
- Rear Drop Down Stabilizer Jacks*
- Side Boards*

*Dealer Specific Options

Specifications

Axle:	(2) 10,000 lb. Lippert Torsion	Floor & Wall:	3/16 Floor / 10ga Wall
Hoist:	Champion CS620T 14 Ton	Frame:	Engineered Beam
Jack:	14,000 lb. Lippert Hydraulic	Lights:	LED
Ramp:	(2) 4,500 lb. Midspan Ramps (39 lb. each)	Electric Plug:	7 Wire RV
Wheels:	235/75R17.5 H Steel	Safety Chains:	26,400 lb.
Tailgate:	Steel Two Way Barn/Spreader	Paint Specs:	PPG 2-Part Epoxy DTM
Coupler:	21,000 lb. Demco Adjustable	Dump Angle:	45°



Dimensions

Model	A	B	C	D	E	F	Box Width
SL716-20KHS	79 5/16"	117 3/16"	196 1/2"	202 3/8"	27 11/16"	271"	82"

Model	Description	Net Weight	GVWR	Payload Cap.
SL716-20KHS	7' x 16' 20,000 lb. Tandem Axle Black/Charcoal	6,014 lb.	22,000 lb.	15,986 lb.



Specs are subject to change without notice. Please contact Southland Trailers Product Specialist for price confirmation on all Products. - Revised September 2024