

SL716G-20KHS - 7' x 16', 20,000 lb. Tandem Axle Gooseneck Dump Trailer with 2-Way Tailgate



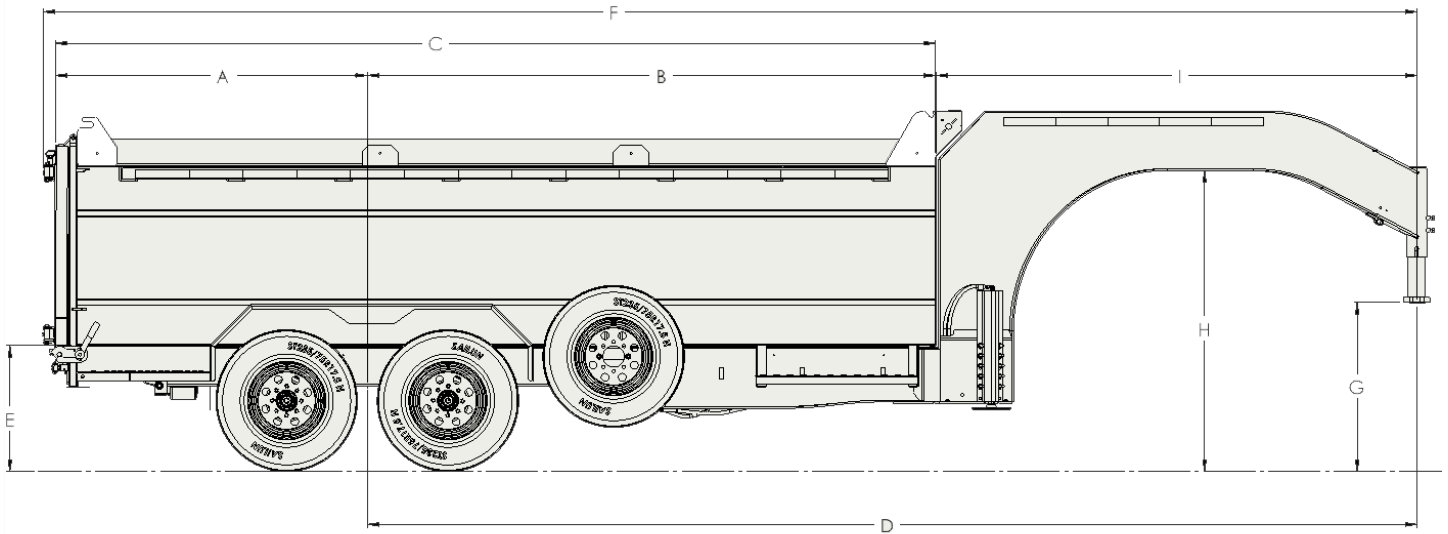
Standard Features

- Stake Pockets
- Scissor hoist – Power Up / Power Down
- Adjustable Coupler
- Aluminum Tool Box
- 110V Battery Charger
- PPG DTM 2 Part Epoxy Paint
- Spare Tire*
- Aluminum Slide in Ramps*
- Roll Up Tarp*
- Rear Drop Down Stabilizer Jacks*
- Side Boards*

*Dealer Specific Options

Specifications

Axle:	(2) 10,000 lb. Lippert Torsion	Floor & Wall:	3/16" Floor / 12 Ga wall
Hoist:	Champion CS-620T 13 Ton	Frame:	Engineered Beam 90 KSI Steel
Jack:	(2) 14,000 lb. Hydraulic Bolted	Lights:	LED
Ramp:	(2) 4,500 lb. Midspan Ramps (39 lb. each)	Electric Plug:	7 Wire RV
Wheels:	235/75R17.5 H Steel	Safety Chains:	26,400 lb.
Tailgate:	Steel Two Way Barn / Spreader	Paint Specs:	PPG 2-Part Epoxy DTM
Coupler:	Gooseneck 2-5/16" Coupler	Dump Angle:	45°



Dimensions

Model	A	B	C	D	E	F	G	H	I	Box Width
SL716G-20KHS	70"	127"	197"	234"	27 3/4"	307"	31 - 37"	67"	108"	82"

Model	Description	Net Weight	GVWR	Payload Cap.
SL716G-20KHS	7' x 16' 20,000 lb. Tandem Axle Gooseneck	7,090 lb.	25,000 lb.	17,910 lb.



Specs are subject to change without notice. Please contact Southland Trailers Product Specialist for price confirmation on all Products. - Revised September 2024