

SL716G-24K - 7' x 16', 24,000 lb. Tandem Axle Gooseneck Dump Trailer with 2-Way Tailgate

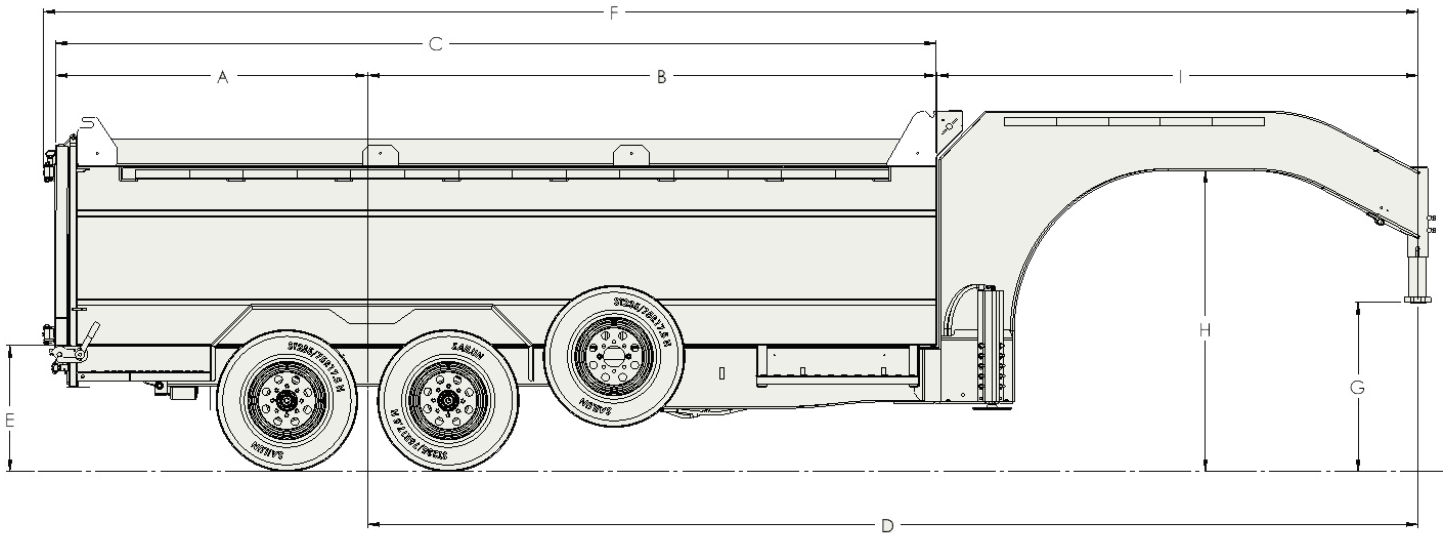


Standard Features

- Spare Tire Included
- Slide in Ramps
- Stake Pockets
- Scissor hoist – Power Up / Power Down
- Adjustable Coupler
- Roll Up Tarp
- Rear Drop Down Stabilizer Jacks
- Aluminum Pump Box
- 110V Battery Charger
- PPG DTM 2 Part Epoxy Paint

Specifications

Axle:	(2) 12,000 lb Lippert Torsion	Floor & Wall	3/16" Floor / 12ga Wall
Hoist:	Champion CS620T 13 Ton	Frame:	Engineered Beam 90 KSI Steel
Jack:	(2) 14,000 lb Hydraulic Bolted	Lights:	LED
Ramp:	4,500 lb Mid Span	Electric Plug:	7 Wire RV
Wheels:	235/75R17.5 H Steel	Safety Chains:	26,400 lb
Tailgate:	Steel Two-Way Barn/Spreader	Paint Specs	PPG 2-Part Epoxy DTM
Coupler:	Gooseneck 2 5/16"		



Dimensions

Model	A	B	C	D	E	F	G	H	I
SL716G-24K	70"	127"	197"	234"	27 3/4"	307"	31 - 37"	67"	108"

Model	Description	Net Weight	GVWR	Payload Cap.
SL716G-24K	7' x 16' 24,000 lb. Tandem Axle Gooseneck	7,075 lb	27,600 lb	20,525 lb



Specs are subject to change without notice. Please contact Southland Trailer Corp Product Specialist for price confirmation on all Products. - Revised January 2024