



**SOUTHLAND**  
TRAILER CORP.

**SL612-14K**  
**6' x 12', 14,000 lbs.**  
**Tandem Axle Dump Trailer**

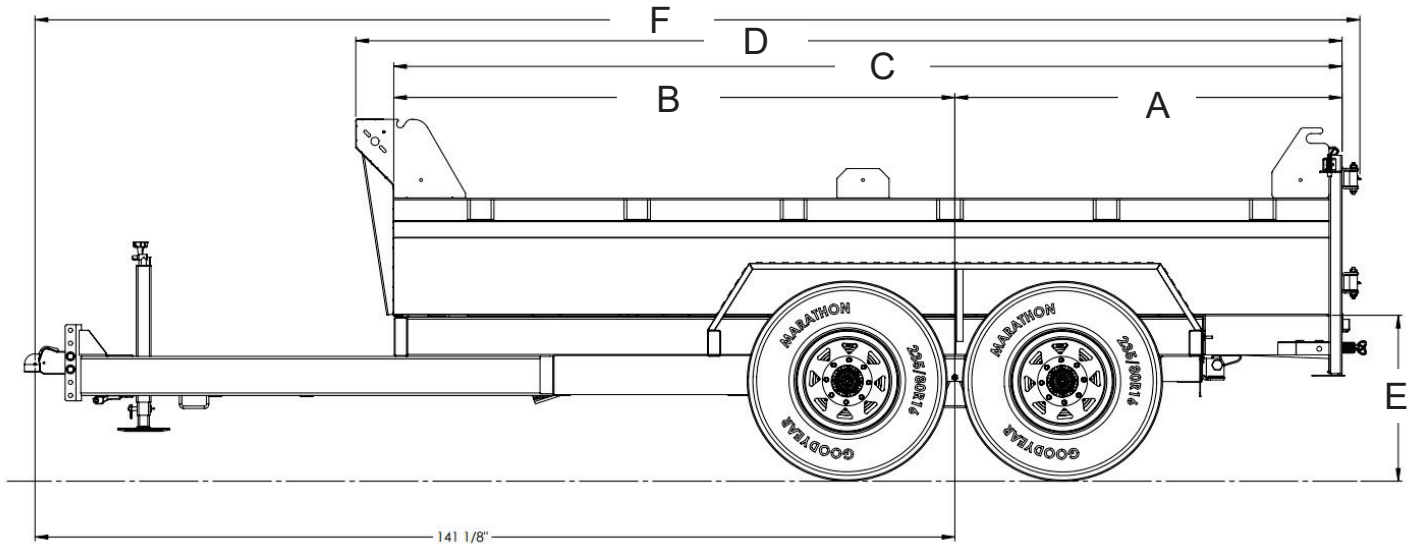


## Standard Features

- 12' Box Length
- 6' Box Width
- 8' Overall Width
- 18" Wall Height
- 12 GA Floor
- 4000 lb. Steel Ramps
- Spare Tire Carrier
- Welded Fenders
- Stake Pockets
- Tarp
- Slam Lock, Double Door Tailgate
- Aluminum Tool Box
- Breakaway Kit
- LED Lighting Package
- Fully Enclosed Wiring
- Bolt-on Safety chains & Hooks
- Lippert Brand Axles
- Radial 10 Ply Tires
- Steel Component cleaned with Steel Shot Blast
- PPG Paint with Two Way Hardener

## Specifications

<b>Tailgate:</b>	Double Door Tailgate, Slam Lock	<b>Coupler:</b>	2 5/16"
<b>Lights:</b>	L.E.D. DOT Stop, Tail, Turn, & Clearance	<b>Tires:</b>	ST235/80R 16 E
<b>Suspension:</b>	Multi-Leaf Spring w/ Equalizer	<b>Rims:</b>	16 x 6.5; Steel 8 Bolt
<b>Safety Chains:</b>	16,200# 3/8" x 35" w/ Clevis Slip Hook	<b>Brakes:</b>	Electric
<b>Jack:</b>	7,000 lbs. Topwind	<b>Frame:</b>	6" x 2" HSS Tube
<b>Hoist:</b>	Single Cylinder Dual Acting 7 ton Hydraulic Scissor Hoist	<b>Crossmember:</b>	N/A
<b>Fenders:</b>	75.875" x 8.4375" x 10.25", 16 GAA	<b>Tongue:</b>	6" x 2" HSS Tube
<b>Floor:</b>	12 GA Steel Sheet	<b>Electric Plug:</b>	7 Wire RV Plug
<b>Axle:</b>	(2) 7000# w/ Electric Brakes		



## Dimensions

Model	A	B	C	D	E	F
SL612-14K	59 7/16"	86 1/16"	144" x 74"	151 5/16"	25 1/2"	203 1/4"

Model	Description	Net Weight	GVWR	Payload Cap.
SL612-14K	6' x 12' 14,000 lbs. Tandem Axle Black/Charcoal	2,646 lbs.	15,400 lbs.	12,754 lbs.

## Standard Parts

**Part# 97624** – AXLE 70-865E 87.0" X 72.0" STR EYE-to-EYE U/S

**Part# 2440** – LIGHT LICENSE PLATE SURFACE MOUNT MINI CHROME - LED

**Part# 51105** – JUNC BOX AND 6FT LEAD PACKAGE

**Part#57637** – LIGHT STOP TURN TAIL RED 6.5" X 2.25" OVAL LED - 10 DIODE

**Part# 1879** – BREAKAWAY SWITCH C/W PULL PIN

**Part#TBX-1713** – TOOLBOX GEN2 FOR SL DUMPS - LIPPERT PUMP W/ SQUARE CHARGER CONFIGURATION

**Part# 63022** – COUPLER CHANNEL MOUNT 21000# 2.3125" W/O CHANNEL - DEMCO

**Part#98766** – 6FT FORMED STEEL RAMP - 4000 LBS

**Part# 99427** – STEEL SHEET 16GA - FENDER TANDEM DUMPS (DIMPLED)

**Part#51120REV1** – HYDRAULIC POWER UNIT 12V ELECTRIC DOUBLE ACTING - LIPPERT

**Part# 2239** – JACK TOPWIND 7000# LIFT WELD-ON 15.0" TRAVEL DROP LEG SQUARE

**Part# 65256** – TARP MESH 6.0' x 14.0'

**Part# 1329** – LIGHT CLEARANCE AMBER 0.6875" ROUND LED W/ GROMMET

**Part# 51585** – TIRE ASSEMBLY 235/80R16 E 10 PLY 8 ON 6.5" BLACK STEEL

**Part#1332** – LIGHT CLEARANCE RED 0.6875" ROUND LED W/ GROMMET



Specs are subject to change without notice. Please contact Southland Trailer Corp Product Specialist for price confirmation on all Products. - Revised February 2023