

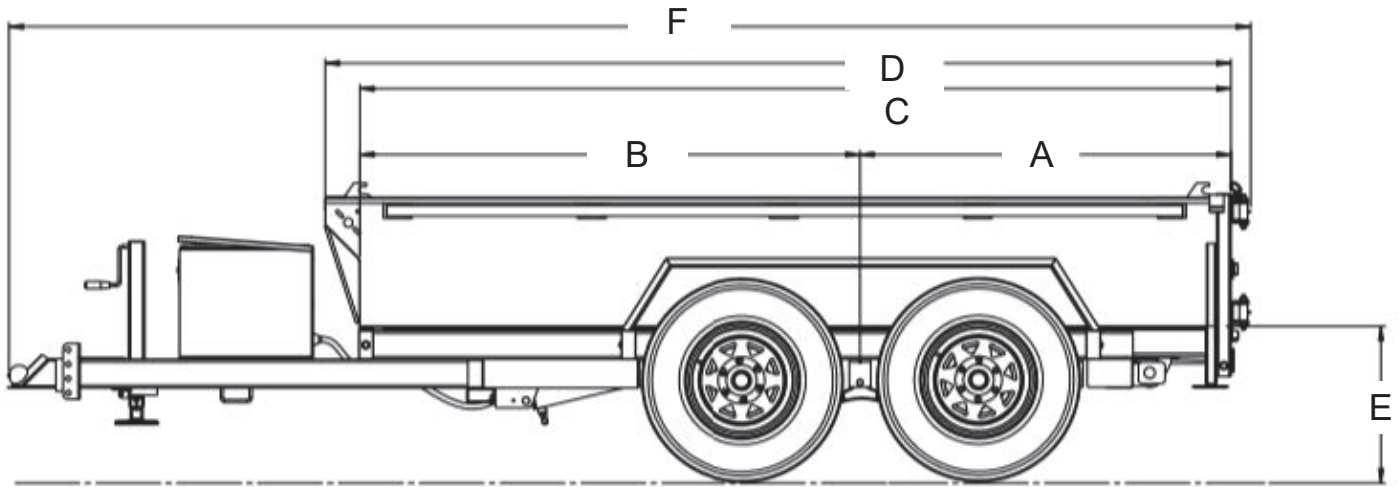


Standard Features

- 10' Box Length
- 5' Box Width
- 8' Overall Width
- 12 GA Floor
- 2,500 lb. Low Profile Steel Ramps
- Spare Tire Carrier
- Welded Fenders
- Tarp
- Slam Lock, Double Door Tailgate
- Rear Drop Down Stabilizer Jacks
- Aluminum Tool Box
- Breakaway Kit
- Protected Wiring
- LED Lighting Package
- Fully Enclosed Wiring
- Bolt-on Safety chains & Hooks
- Lippert Brand Axles
- Radial 8 Ply Tires
- Steel Component cleaned with Steel Shot Blast
- Polyurethane Two Component Paint Process

Specifications

Tailgate:	Double Door Tailgate/Slam Lock	Coupler:	2 5/16"
Lights:	L.E.D. DOT Stop, Tail, Turn, & Clearance	Tires:	ST225/75R 15 D
Suspension:	Multi-Leaf Spring w/ Equalizer	Rims:	15 x 6; Steel 6 Bolt
Safety Chains:	16,200 lb. 3/8" x 35" w/Clevis Slip Hook	Brakes:	Electric
Jack:	5,000 lb. Sidewind	Frame:	4" x 2" HSS Tube
Hoist:	Dual Cylinder Double Acting 4.5 ton Hydraulic Underbody Hoist	Crossmember:	Sill Design
Fenders:	46.75" x 9.9375" x 8.8125", 14 GA Checkerplate	Tongue:	4" x 2" HSS Tube
Floor:	12 GA Steel Sheet	Electric Plug:	7 Wire RV Plug
Axle:	(2) 5200 lb. w/ Electric Brakes		



Dimensions

Model	A	B	C	D	E	F
SL510-10K	51 5/8"	69 7/8"	121 1/2" x 61 1/2"	126 5/16"	21 13/16"	173 1/16"

Model	Description	Net Weight	GVWR	Payload Cap.
SL510-10K	5' x 10' 10,000 lb. Tandem Axle Black/Charcoal	2,669 lb.	11,400 lb.	8,775 lb.

Standard Parts

Part# 51580 – AXLE 52-655E 73.0" X 59.0" STR EYE-to-EYE U/S

Part# 2440 – LIGHT LICENSE PLATE SURFACE MOUNT MINI CHROME - LED

Part# 51105 – JCT BOX AND 6FT LEAD PACKAGE

Part#57637 – LIGHT STOP TURN TAIL RED 6.5" X 2.25" OVAL LED - 10 DIODE

Part# 1879 – BREAKAWAY SWITCH C/W PULL PIN

Part#87997 – TOOLBOX ALUMINUM TRAILER TONGUE STYLE W/ GAS SHOCK

Part# 63021 – COUPLER CHANNEL MOUNT 14000 lb. 2.3125" - W/ 4 HOLE CHANNEL & HARDWARE

Part#94676 – 2,500 lb. LOW PROFILE ECONO RAMP

Part# 94493 – JEEP FENDER DUAL - 8.5" WIDE

Part#51120 – HYDRAULIC POWER UNIT 12V ELECTRIC DOUBLE ACTING

Part# 2281 – JACK SIDEWIND 5000 lb. WELD-ON 15.0" LIFT DROP LEG SQUARE

Part# 94495 – TARP 5.0' X 10.0' C/W HARDWARE KIT

Part# 1329 – LIGHT CLEARANCE AMBER 0.6875" ROUND LED W/ GROMMET

Part# 61321 – TIRE ASSEMBLY 225/75R15 D 8 PLY 6 HOLE BLACK

Part#1332 – LIGHT CLEARANCE RED 0.6875" ROUND LED W/ GROMMET



Specs are subject to change without notice. Please contact Southland Trailer Corp Product Specialist for price confirmation on all Products. - Revised August 2023