

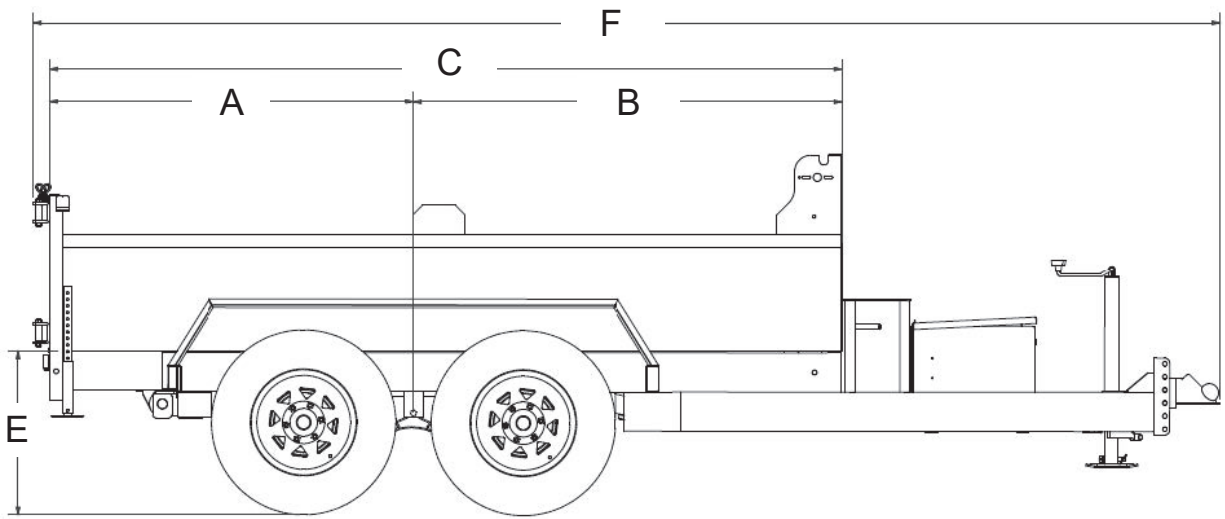


Standard Features

- 10' Box Length
- 6' Box Width
- 8' Overall Width
- 12 GA Floor
- Heavy Duty 2,500 lb. Steel Ramps
- Spare Tire Carrier
- Welded Fenders
- Stake Pockets & Rub Rails
- Tarp
- Slam Lock, Double Door Tailgate
- Aluminum Tool Box
- Breakaway Kit
- Protected Wiring
- LED Lighting Package
- Fully Enclosed Wiring
- Bolt-on Safety chains & Hooks
- Lippert Brand Axles
- Radial 8 Ply Tires
- Steel Component cleaned with Steel Shot Blast
- PPG Paint with Two Way Hardener

Specifications

Tailgate:	Double Door Tailgate/Slam Lock	Coupler:	2 5/16"
Lights:	L.E.D. DOT Stop, Tail, Turn, & Clearance	Tires:	ST225/75R 15 D
Suspension:	Multi-Leaf Spring w/ Equalizer	Rims:	15 x 6; Steel 6 Bolt
Safety Chains:	16,200# 3/8" x 35" w/Clevis Slip Hook	Brakes:	Electric
Jack:	7,000 lbs. Topwind	Frame:	6" x 2" HSS Tube
Hoist:	Dual Cylinder Single Acting 4.5 ton Hydraulic Underbody Hoist	Crossmember:	N/A
Fenders:	75.75" x 9.5" x 10.25", 14 GA Checkerplate	Tongue:	6" x 2" HSS Tube
Floor:	12 GA Steel Sheet	Electric Plug:	7 Wire RV Plug
Axle:	(2) 5200# w/ Electric Brakes		



Dimensions

Model	A	B	C	D	E	F
SL610-10K	56 1/16"	66"	122 1/16" x 72"	N/A	25 1/8"	182 7/8"

Model	Description	Net Weight	GVWR	Payload Cap.
SL610-10K	6' x 10' 10,000 lbs. Tandem Axle Black/Charcoal	2,574 lbs.	11,440 lbs.	8,826 lbs.

Standard Parts

Part# 789 – AXLE 52-655E 87.0" X 72.0" STR DOUBLE EYE U/S

Part# 2440 – LIGHT LICENSE PLATE SURFACE MOUNT MINI CHROME - LED

Part# 51105 – JUNC BOX AND 6FT LEAD PACKAGE

Part#2380 – LIGHT STOP TURN TAIL RED 12.625" X 1.5" STRIP SURFACE MOUNT LED

Part# 1879 – BREAKAWAY SWITCH C/W PULL PIN

Part#87997 – TOOLBOX ALUMINUM TRAILER TONGUE STYLE W/ GAS SHOCK

Part# 63022 – COUPLER CHANNEL MOUNT 14000# 2.3125" - W/ 6 HOLE CHANNEL & HARDWARE

Part#4997 – ECONO RAMP – STEEL 6FT HEAVY DUTY - BLACK

Part# 1796 – FENDER TANDEM STEEL 75.75" X 9.5" X 10.25" - 14 GA CHECKERPLATE

Part#51118 – HYDRAULIC POWER UNIT 12V ELECTRIC SINGLE ACTING 8 QUART

Part# 67360 – JACK TOPWIND 5000# WELD-ON 15.0" LIFT DROP LEG SQUARE

Part# 75476 – TARP 6.0' X 14.0' C/W HARDWARE KIT

Part# 1329 – LIGHT CLEARANCE AMBER 0.6875" ROUND LED W/ GROMMET

Part# 82027 – TIRE ASSEMBLY 205/75R15 C 6 PLY 5 HOLE BLACK

Part#1332 – LIGHT CLEARANCE RED 0.6875" ROUND LED W/ GROMMET



Specs are subject to change without notice. Please contact Southland Trailer Corp Product Specialist for price confirmation on all Products. - Revised February 2023