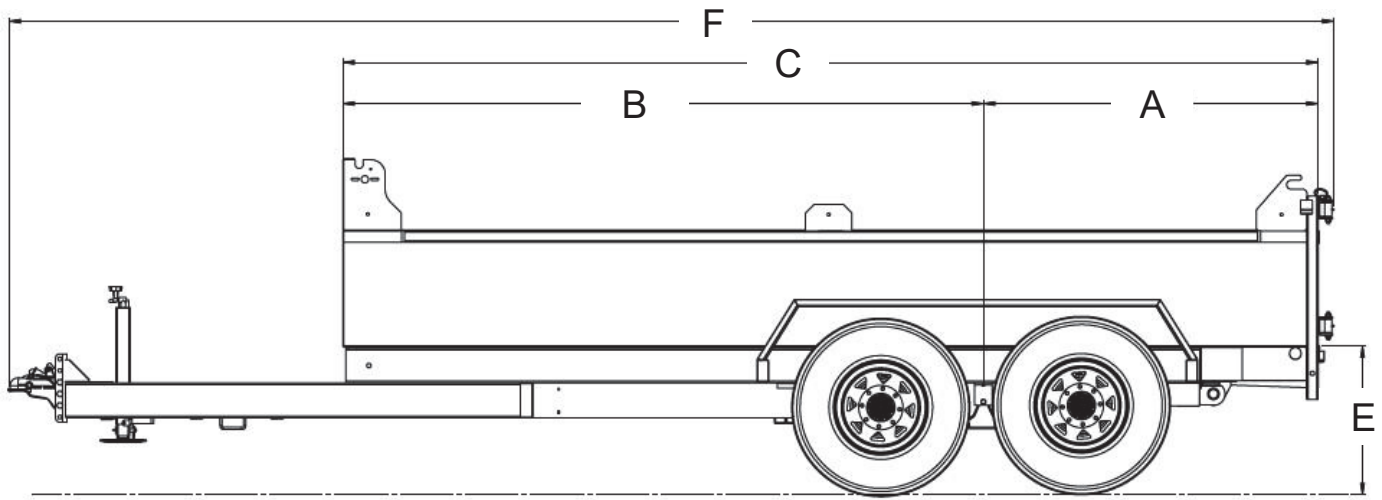




## Standard Features

- 14' Box Length
- 7' Box Width
- 8' 5" Overall Width
- 10 GA Floor
- Heavy Duty 4000 lb. Galvanized Steel Ramps
- Spare Tire Carrier
- Welded Fenders
- Tarp
- Slam Lock, Double Door Tailgate
- Aluminum Tool Box
- Breakaway Kit
- Protected Wiring
- LED Lighting Package
- Fully Enclosed Wiring
- Bolt-on Safety chains & Hooks
- Lippert Brand Axles
- Radial 10 Ply Tires
- Steel Component cleaned with Steel Shot Blast
- Polyurethane Two Component Paint Process

<b>Tailgate:</b>	Double Door Tailgate/Slam Lock	<b>Coupler:</b>	2 5/16"
<b>Lights:</b>	L.E.D. DOT Stop, Tail, Turn, & Clearance	<b>Tires:</b>	ST235/80R 16 E
<b>Suspension:</b>	Multi-Leaf Spring w/ Equalizer	<b>Rims:</b>	16 x 6; Steel 8 Bolt
<b>Safety Chains:</b>	16,200 lb. 3/8" x 35" w/Clevis Slip Hook	<b>Brakes:</b>	Electric
<b>Jack:</b>	5,000 lb. Topwind	<b>Frame:</b>	6" x 2" HSS Tube
<b>Hoist:</b>	8 Ton Double Acting Hydraulic Underbody Hoist	<b>Crossmember:</b>	Sill Design
<b>Fenders:</b>	75.75" x 9.5" x 10.25", 14 GA Checkerplate	<b>Tongue:</b>	6" x 2" HSS Tube
<b>Floor:</b>	10 GA Steel Sheet	<b>Electric Plug:</b>	7 Wire RV Plug
<b>Axle:</b>	(2) 7000 lb. w/ Electric Brakes		



## Dimensions

Model	A	B	C	D	E	F
SL714-14K	57 11/16"	110 3/8"	168 1/8" x 84"	N/A	25 5/8"	25 5/8"

Model	Description	Net Weight	GVWR	Payload Cap.
SL714-14K	7' x 14' 14,000 lb. Tandem Axle Black/Charcoal	3,123 lb.	15,400 lb.	12,277 lb.

## Standard Parts

**Part# 63208** – AXLE 70-865E 93.0" X 79.0" STR EYE TO EYE U/S

**Part# 2440** – LIGHT LICENSE PLATE SURFACE MOUNT MINI CHROME - LED

**Part# 51105** – JCT BOX AND 6FT LEAD PACKAGE

**Part#2380** – LIGHT STOP TURN TAIL RED 12.625" X 1.5" STRIP SURFACE MOUNT LED

**Part# 1879** – BREAKAWAY SWITCH C/W PULL PIN

**Part#87997** – TOOLBOX ALUMINUM TRAILER TONGUE STYLE W/ GAS SHOCK

**Part# 63022** – COUPLER CHANNEL MOUNT 14000 lb. 2.3125" - W/ 6 HOLE CHANNEL & HARDWARE

**Part#4997** – ECONO RAMP – STEEL 6FT HEAVY DUTY - BLACK

**Part# 1796** – FENDER TANDEM STEEL 75.75" X 9.5" X 10.25" - 14 GA CHECKERPLATE

**Part#51120** – HYDRAULIC POWER UNIT 12V ELECTRIC DOUBLE ACTING

**Part# 67360** – JACK TOPWIND 5000 lb. WELD-ON 15.0" LIFT DROP LEG SQUARE

**Part# 75476** – TARP 6.0' X 14.0' C/W HARDWARE KIT

**Part# 1329** – LIGHT CLEARANCE AMBER 0.6875" ROUND LED W/ GROMMET

**Part# 51585** – TIRE ASSEMBLY 235/80R16 E 10 PLY 8 HOLE BLACK

**Part#1332** – LIGHT CLEARANCE RED 0.6875" ROUND LED W/ GROMMET



Specs are subject to change without notice. Please contact Southland Trailer Corp Product Specialist for price confirmation on all Products. - Revised August 2023