

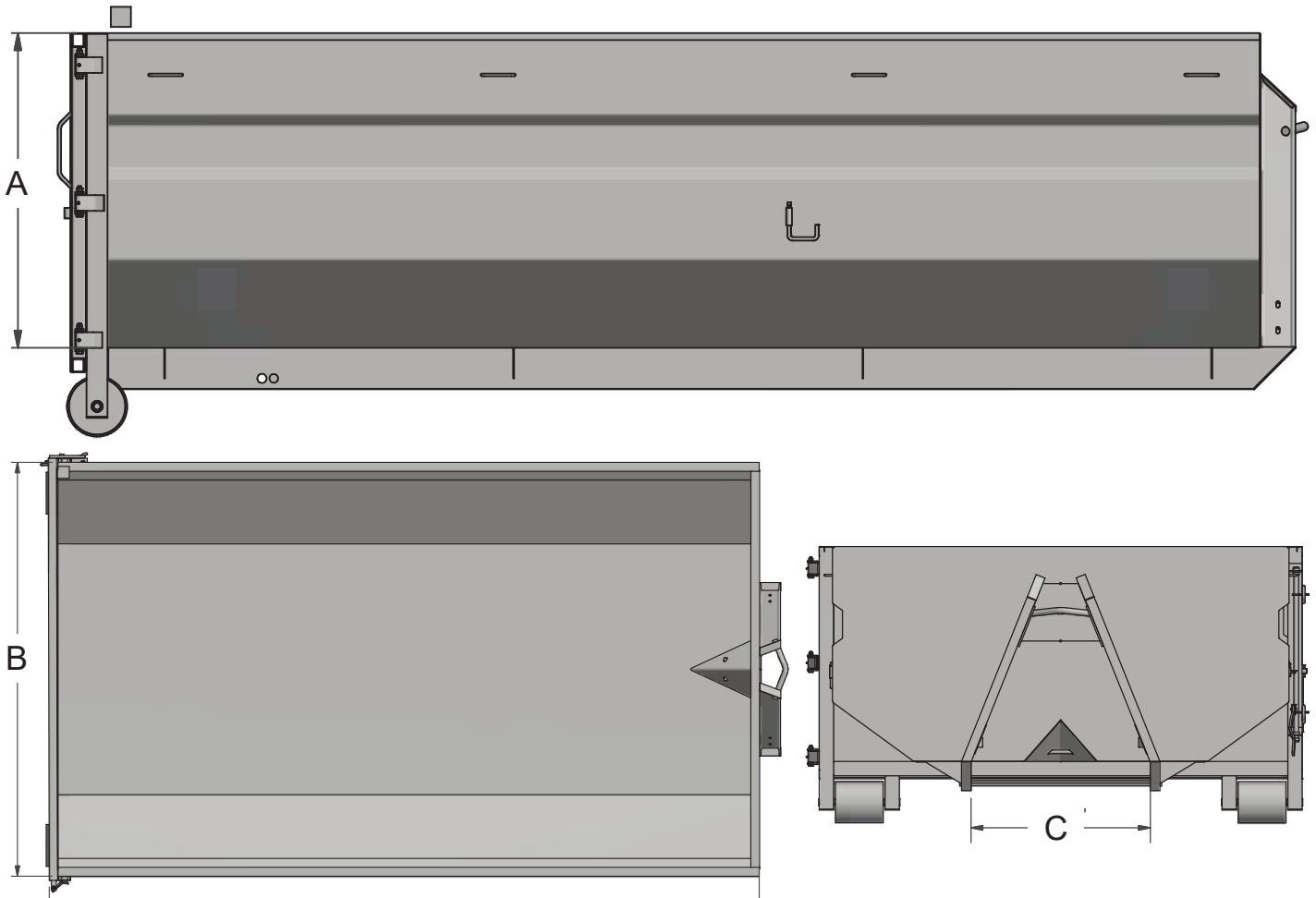


## Standard Features

- 14' Working Bin
- 7' 5" Overall Width
- 45" Wall Height
- Heavy Duty 8" Rollers
- Greaseable Bearings
- Swing Gate
- 14.5 Yards Payload Capacity
- PPG DTM 2 Part Epoxy Paint
- Zinc Coated Hardware
- Formed Side Wall for Added Strength

## Specifications

<b>Tailgate:</b>	SINGLE PANEL BARN DOOR, 12 GA 48" X 101"
<b>Floor &amp; wall:</b>	10 GA FLOOR & 10 GA WALL
<b>Frame:</b>	6 X 2 HSS SUB FRAME
<b>Lights:</b>	N/A
<b>Electric Plug:</b>	N/A
<b>Safety Chains:</b>	N/A
<b>Paint Spec:</b>	PPG 2-PART EPOXY DTM PAINT



## Dimensions

Model	A	B	C
Roll Off Bin	44-3/4"	99"	37.5"

Model	Description	Net Weight	GVWR	Payload Cap.
Roll Off Bin	Roll Off Bin	2,000 lbs	N/A	8,000 lbs



Specs are subject to change without notice. Please contact Southland Trailer Corp Product Specialist for price confirmation on all Products. - Revised April 2024