



# SLSB-32/28

## 32' LEAD & 28' REAR SUPER B



### General Specifications

<b>Main Beams:</b>	One-Piece Seamless Web 3/16"GR90 KSI HTS, Flange GR130 KSI 5" x 3/8" HTS, Robotically Welded. 2.5" Camber
<b>Main Deck Frame:</b>	3.5" Square Tubing Side Rails w/ Integrated Stake Pockets at 48" Centers, 4" Superlite IBeam Crossmembers on 16" Centers, Fully Welded 1/4" Round Rub Rail, Tube Style Knee Braces, Formed Front Bolster with Bolted Aluminum Inspection Plate, 3.5" Square Tubing Rear Bolster
<b>Coupler Assembly:</b>	3/8" Plate Reinforced with Support Channels and Inner Web Repads, SAF Holland King Pin with Depth Set at 30/19", Various Pin Depth and Plate Thickness Options Available
<b>Cargo Securement:</b>	3 Bar Winches w/Opposite J-Hooks, HD Tarp Hooks. Custom Winch and Stake Pocket Layout Options Available
<b>Decking:</b>	8" x 1-5/16 BC Douglas FIR Shiplap, Exterior Wood Stained for Longevity
<b>Suspension:</b>	Hendrickson AAL23K INTRAAX Air Ride 8" Ride Height. Options Available
<b>Axles:</b>	Hendrickson AANT23K INTRAAX, Lift Axle and Tire Inflation Options Available
<b>Wheelends/Brakes:</b>	Standard 10 Stud Piloted Ductile Iron Hub, Extended Life HXL5, Haldex Auto Slack Adjusters, HXS TSE 30/30 Spring Brake Pots. Cast Drum, Federal Mogul Seals. Disc Brake, Hubmeter and Lightweight Hub and Drum Options Available.
<b>ABS:</b>	Bendix TABS-6 ABS (2 Sensors/1 Modulator), Transport Canada Compliant
<b>Coating:</b>	All Components Steel Shot Blasted, PPG Zinc Rich Epoxy Primer Inside and Out, Top Coat PPG Urethane, All Painted Parts Baked in Heat Ovens, Standard Black. Various Colors Available.
<b>Wiring/Lighting:</b>	HD Sealed Grote Wiring Harness with LED lighting, Wide Load Pull Out and Rear Rear Strobe Lights Options Available.
<b>Air System:</b>	Standard Steel Air tanks, Inline Air Filter System, Manual Air Bag Dump Valve

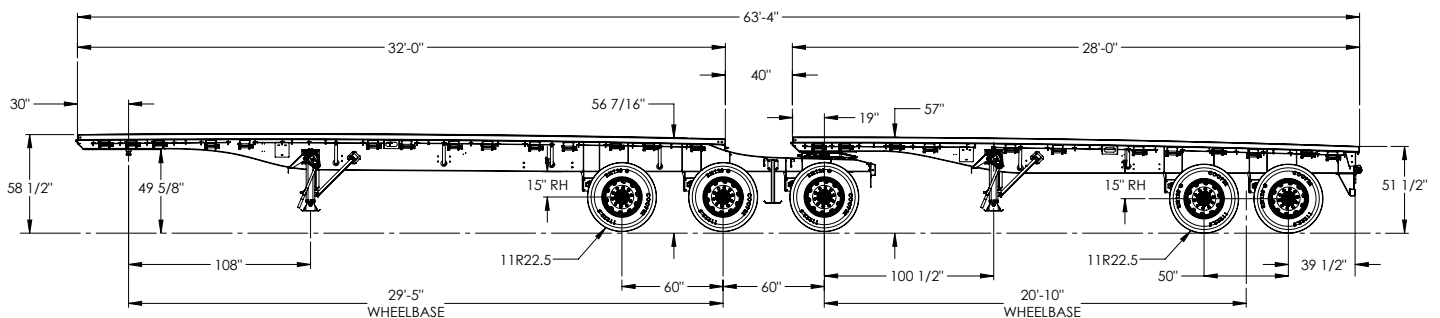
<b>Landing Gear:</b>	62,500 lb Dual Speed SAF Holland Mark V with Sand Shoe, Heavy Duty Bracing
<b>Tires:</b>	Cooper Roadmaster. Options Available
<b>Rims:</b>	Steel and Aluminum, Various Finish Options Available
<b>Toolbox/Storage:</b>	Aluminum Box with Barn Doors 24"H x 23"D x 60L with Cam Style Latch and Grote LED Interior Light. Various Dunnage Box, Rack and Basket Options Available. Optional Chain Hanger
<b>Mudflaps:</b>	30" Poly Anti-Spray Renn Logo'd Mudflaps. Options Available
<b>Tow Point:</b>	D-Rings Mounted at Rear, Pup Only
<b>Lift Lugs:</b>	Balanced Lift Points on Rear Deck for Stacking Purposes
<b>Reflective Conspicuity:</b>	2" Red and White
<b>Document Holder:</b>	Tube Style
<b>Control Box:</b>	Sealed Aluminum Box with Sight Window, Liquid Load Gauge and Manual Air Bag Dump Valve
<b>Bumper:</b>	Certified Rear Impact Guard, Meets CMVSS
<b>Data:</b>	Meets or Exceeds all Canadian Motor Vehicle Safety Standards

## Trailer Ratings

GVWR	Distributed	20' Concentrated	10' Concentrated	4' Concentrated	Tare
41,000/31,500 KG	60,000/60,000 lb.	45,000/45,000 lb	37,500/37,500 lb.	30,000/30,000 lb.	11,400/8,400 lb.

## Dimensions

Model	Deck Length	Outside Width	Rear Loaded Deck Height	King Pin Plate Height
SLSB-32/28	32'/28'	102"	L54 15/16"/R49 7/8"	L48 5/8" R47 3/16



Specs are subject to change without notice. Please contact Southland Trailer Corp Product Specialist for price confirmation on all Products. - Revised May 2024