



SL1700-G2S

Single Wall



General Specifications

Chassis:	One-Piece 5 3/4" x 10 5/16" HTS IBeam
Box:	4MM Hardox 450 Single Wall and Top Sil, Floor 3/16" Hardox 450 formed up each side, 48" Flat Front 3/16" Hardox 450, Full Length 12 Gauge Fender Skirts, Gate: Single 4MM Hardox 450 plate, Straight Gate w/Air Trip, and Spreader Chains, 12" Painted Wood Side Boards.
Pintle Eye:	SAF Holland Swivel Mount Drawbar
Tarp:	Michel's Dura-Flip Mesh with Hydra Chain Drive Crank, Electric Option Available, Various Tarp Options Available
Hoist	Mailhot Telescoping G3 Series
Suspension:	SAF Holland CBX 23,000 lb. Integrated Axle with Air Ride Suspension. Spring Ride Options Available
Axles:	SAF Holland CBX 23,000 lb. Integrated Axle with Air Ride Suspension. Options Available
Wheelends/Brakes:	Webb Standard 10 Stud Piloted Ductile Iron Hub, SC5 Warranty, Haldex Auto Slack Adjusters, 30/30 Spring Brake Pots. Webb Cast Drum, SAF Holland Seals. Disc Brake, Hubmeter and Lightweight Hub and Drum Options Available.
ABS:	Bendix TABS-6 ABS (2 Sensors/1 Modulator), Transport Canada Compliant
Coating:	All Components Steel Shot Blasted, PPG Epoxy Primer, Top Coat PPG Urethane, Various Colors Available.
Wiring/Lighting:	HD Sealed Wiring Harness with LED lighting.
Air System:	Standard Steel Air tanks, Inline Air Filter System, Automatic Air Bag Dump Valve

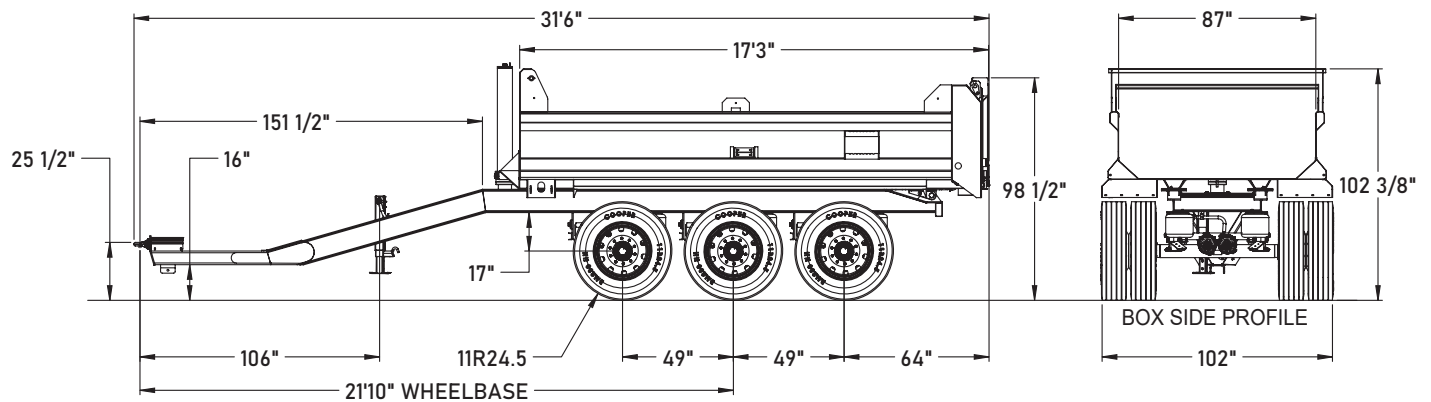
Jack:	12,000 lb. Ram Sidewind Spring Lift/Drop
Tires:	16Ply Mixed Service All Position. Options Available
Rims:	Unimount Hub Piloted 10 Hole Steel and Aluminum. Various Finish Options Available
Mudflaps:	30" Poly Anti-Spray/Sail Renn Logo'd Mudflaps at Front and Rear. Options Available
Protection:	Optional Front Wall Aluminum Diamond Plate Rock Guard
Ladder:	2 Welded Rungs at the Rear of the Box
Reflective Conspicuity:	2" Red and White
Document Holder:	Tube Style
Containment Seal and Latches:	Optional
High Lift Gate:	Optional
Remote Tarp Control	Optional
Data:	Meets or Exceeds all Canadian Motor Vehicle Safety Standards

Trailer Ratings

GVWR	Capacity	Tare
21,000 kg.	15.63 Cubic Yards.	5,776 kg.

Dimensions

Model	Box Length	Outside Width	Overall Length	Overall Height	Wall Height	Tip Height
SL1700-G2S	17' 3"	8' 6"	31' 6"	102' 3/8"	30"	240"



Specs are subject to change without notice. Please contact Southland Trailer Corp Product Specialist for price confirmation on all Products. - Revised October 2024