



# SL1700-G1S

## Conventional 2 Piece Wall



### General Specifications

<b>Chasis:</b>	One-Piece 5 3/4" x 10 5/16" HTS IBeam
<b>Box:</b>	Conventional Double Wall with 12 Gauge HTS Plate Inner Walls, 12 Gauge Formed HTS Outer Walls, Floor 3/16" AR200 formed up each side, 42" Flat Front 3/16" HTS, Full Length 12 Gauge Fender Skirts, Gate: Inner 3/16" HTS plate, Outer 12 Gauge HTS, Formed Cross Ribs, Straight Gate w/Air Trip, and Spreader Chains, 12" Painted Wood Side Boards. .157, .188 and .250 Hardox 450 Options Available.
<b>Pintle Eye:</b>	SAF Holland Swivel Mount Drawbar
<b>Tarp:</b>	Michel's Dura-Flip Mesh with Hydra Chain Drive Crank, Electric Option Available, Various Tarp Options Available
<b>Hoist:</b>	Mailhot Telescoping G3 Series
<b>Suspension:</b>	SAF Holland CBX 23,000 lb. Integrated Axle with Air Ride Suspension. Spring Ride Options Available
<b>Axles:</b>	SAF Holland CBX 23,000 lb. Integrated Axle with Air Ride Suspension. Options Available
<b>Wheelends/Brakes:</b>	Webb Standard 10 Stud Piloted Ductile Iron Hub, SC5 Warranty, Haldex Auto Slack Adjusters, 30/30 Spring Brake Pots. Webb Cast Drum, SAF Holland Seals. Disc Brake, Hubmeter and Lightweight Hub and Drum Options Available.
<b>ABS:</b>	Bendix TABS-6 ABS (2 Sensors/1 Modulator), Transport Canada Compliant
<b>Coating:</b>	All Components Steel Shot Blasted, PPG Epoxy Primer, Top Coat PPG Urethane, Various Colors Available.
<b>Wiring/Lighting:</b>	HD Sealed Wiring Harness with LED lighting.
<b>Air System:</b>	Standard Steel Air tanks, Inline Air Filter System, Automatic Air Bag Dump Valve

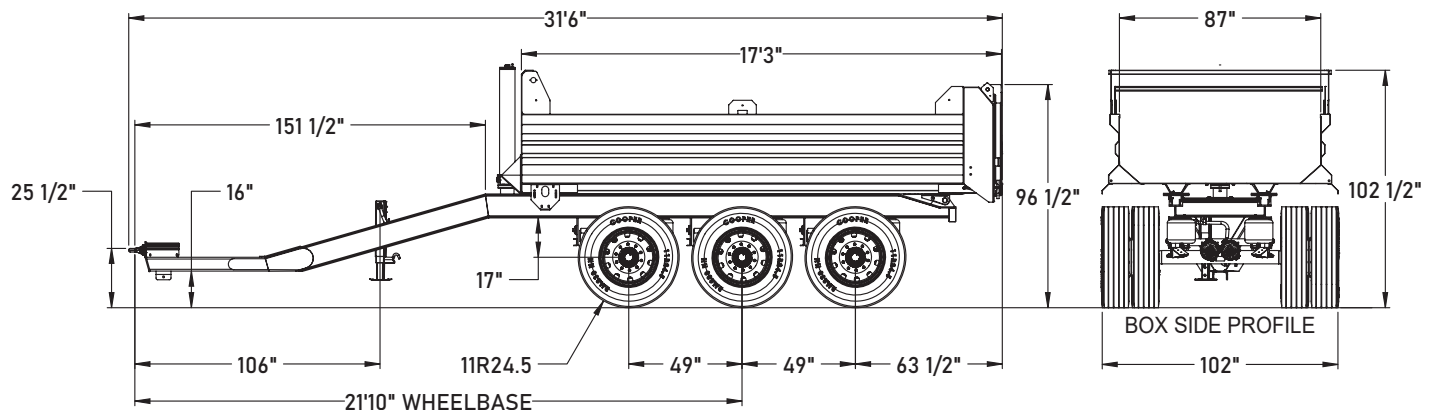
<b>Jack:</b>	12,000 lb. Ram Sidewind Spring Lift/Drop
<b>Tires:</b>	16Ply Mixed Service All Position. Options Available
<b>Rims:</b>	Unimount Hub Piloted 10 Hole Steel and Aluminum. Various Finish Options Available
<b>Mudflaps:</b>	30" Poly Anti-Spray/Sail Renn Logo'd Mudflaps at Front and Rear. Options Available
<b>Protection:</b>	Optional Front Wall Aluminum Diamond Plate Rock Guard
<b>Ladder:</b>	2 Welded Rungs at the Rear of the Box
<b>Reflective Conspicuity:</b>	2" Red and White
<b>Document Holder:</b>	Tube Style
<b>Containment Seal and Latches:</b>	Optional
<b>High Lift Gate:</b>	Optional
<b>Remote Tarp Control</b>	Optional
<b>Data:</b>	Meets or Exceeds all Canadian Motor Vehicle Safety Standards

## Trailer Ratings

GVWR	Capacity	Tare
21,000 kg.	15.76 Cubic Yards.	5,776 kg.

## Dimensions

Model	Box Length	Outside Width	Overall Length	Overall Height	Wall Height	Tip Height
SL1700-G1S	17' 3"	8' 6"	31' 6"	102 1/2"	30"	240



Specs are subject to change without notice. Please contact Southland Trailer Corp Product Specialist for price confirmation on all Products. - Revised October 2024