

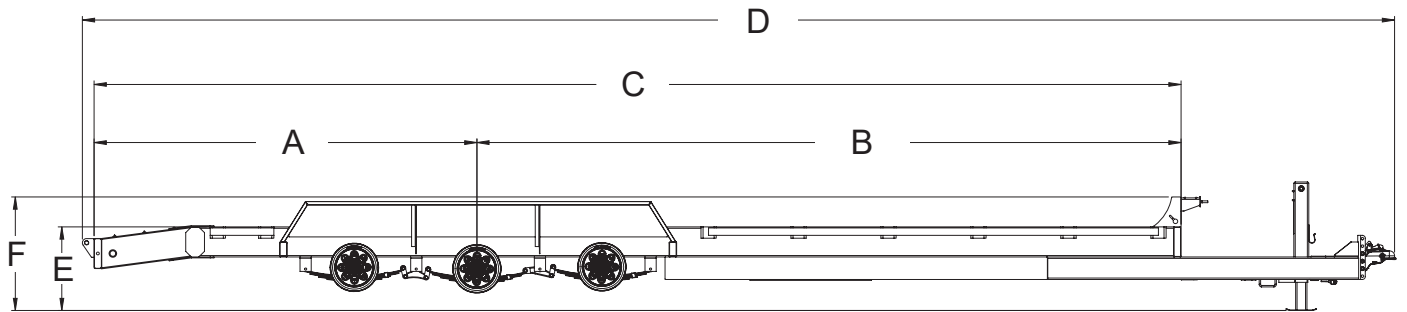


Standard Features

- Fully Enclosed Wiring w/LED Lights
- Bolted Fenders
- Available in straight deck or beavertail
- Available with slide in or fold up ramps
- Stabilizer jacks standard on slide-in ramps
- High tensile steel I-beam crossmembers
- HSS Structural Tubing Frame
- HD Fir Decking
- Bolted Drop Leg Jacks
- Stake pockets and rub rail

Specifications

Axle:	(3) 7,000 lb Lippert Spring	Frame:	8 X 2 HSS
Suspension:	Multi-Leaf Spring w/Equalizer	Ramp:	Slide In or Flip Up, 4,500 lb
Wheels:	235/80R16 E Steel	Crossmember:	3" I-Beam 80 KSI
Brakes:	Electric Self Adjusting	Tongue:	6 X 2 HSS
Jack:	12,000 lb Side Wind Bolted	Deck:	HD Fir Plank
Coupler:	21,000 lb Demco Adjustable	Electric Plug:	7 Wire RV



Dimensions

Model	A	B	C	D	E	F	G	H
LBATR7-22 BT	102"	188"	290"	347"	24 1/2"	30 1/2"		

Model	Description	Net Weight	GVWR	Payload Cap.
LBATR7-22 BT	22' 7,000 lb. Triple Axle Beavertail Black	3,850 lb	21,000 lb	17,150



Specs are subject to change without notice. Please contact Southland Trailer Corp Product Specialist for price confirmation on all Products. - Revised January 2024