



**LB22T-21**  
**22' Triple Axle Equipment Trailer**  
**w/ 2' Beavertail**  
**Fold Up Ramps**



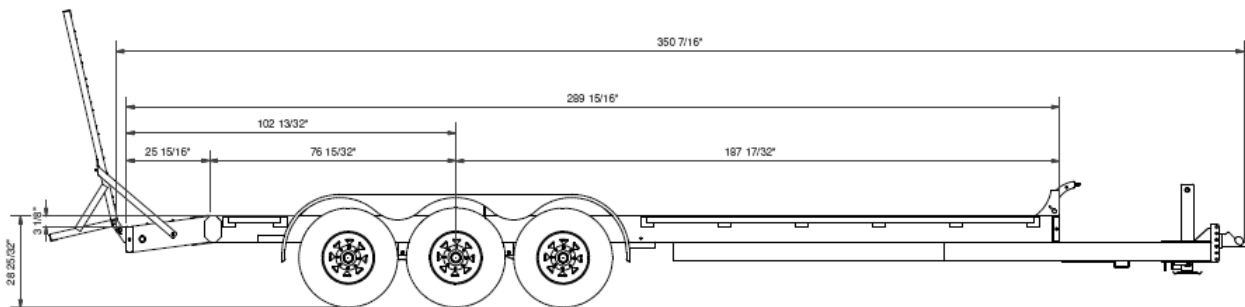
**Standard Features:**

- |                           |  |
|---------------------------|--|
| 22' Working Deck          | Breakaway Kit                                  |
| 8' 6" Overall Width       | Protected Wiring                               |
| 81" Between Fenders       | LED Lighting Package                           |
| Plank Deck                | Fully Enclosed Wiring                          |
| Steel Fold Up Ramps       | Bolt-on Safety Chains & Hooks                  |
| Spare Tire Carrier        | Lippert Brand Axles                            |
| Welded Fenders            | Radial 10 Ply Tires                            |
| Stake Pockets & Rub Rails | Steel Components cleaned with Steel Shot Blast |
| Front Rail                | PPG Paint with Two Way Hardener                |

**Specs**

Coupler	<b>2 5/16"</b>	Jack	<b>12,000# Side Wind</b>
Safety Chains	<b>26,400# 3/8" x 35" w/Clevis Slip Hook</b>	Axle	<b>(3) 7000# w/ Electric Brakes</b>
Tongue	<b>6" x 2" HSS Tube</b>	Suspension	<b>Multi-Leaf Spring w/ Equalizer</b>
Frame	<b>8" x 2" HSS Tube</b>	Tires	<b>ST235/80R16 E</b>
Crossmember	<b>3" x 2" HSS Tube</b>	Rims	<b>16 x 6; Steel 8 Bolt</b>
Fenders	<b>108" x 10.75" x 20.5", 16 GA Checkerplate</b>	Brakes	<b>Electric</b>
Floor	<b>2" Spruce Kiln Dried Lumber</b>	Net Weight	<b>3,284 lbs.</b>
Lights	<b>L.E.D. DOT Stop, Tail, Turn, &amp; Clearance</b>	GAWR (Ea. Axle)	<b>7,000 lbs.</b>
Electric Plug	<b>7 Wire RV Plug</b>	GVWR (lbs.)	<b>23,100 lbs.</b>

Dimensions	
Back of Trailer to Center Axle	102 13/32"
Front of Trailer to Center Axle	187 17/32"
Deck L x W	289 15/16" x 81"
Deck Height	28 25/32"
Total Length of Trailer	350 7/16"



Standard Parts	
Part# 63208 – AXLE 70-865E 93.0" X 79.0" STR EYE-to-EYE U/S	Part#1332 – LIGHT CLEARANCE RED 0.6875" ROUND LED W/ GROMMET
Part# 51105 – JUNC BOX AND 6FT LEAD PACKAGE	Part#2405 – LIGHT FENDER MARKER AMBER/RED 3.8125" X 1.25" RECESSED - LED
Part# 56440 – BREAKAWAY SYSTEM ENGAGER – NO LED	Part# 2440 – LIGHT LICENSE PLATE SURFACE MOUNT MINI CHROME - LED
Part# 843 – COUPLER CHANNEL MOUNT 22000# HD 2.3125" - W/ 6 HOLE CHANNEL & HARDWARE	Part# 57637 – LIGHT STOP TURN TAIL RED 6.5" X 2.25" OVAL LED - 10 DIODE
Part# 1809 – FENDER TRIPLE STEEL 108.0" X 10.75" X 20.5" 16GA	Part# 93511 – LB FLAT DECK FOLD UP RAMP ASSEMBLY - 5.0FT - 6in MAINRAIL - BT
Part# 2259 – JACK SIDEWIND 12000# WELD-ON 13.5" LIFT DROP LEG SPRING LOADED FRONT PULL PIN	Part# 51585 – TIRE ASSEMBLY 235/80R16 E 10 PLY 8 HOLE BLACK
Part# 1329 – LIGHT CLEARANCE AMBER 0.6875" ROUND LED W/ GROMMET	

Specs are subject to change without notice. Please contact Southland Trailer Corp Product Specialist for price confirmation on all Royal Cargo Products.  
Revised March 2020

