



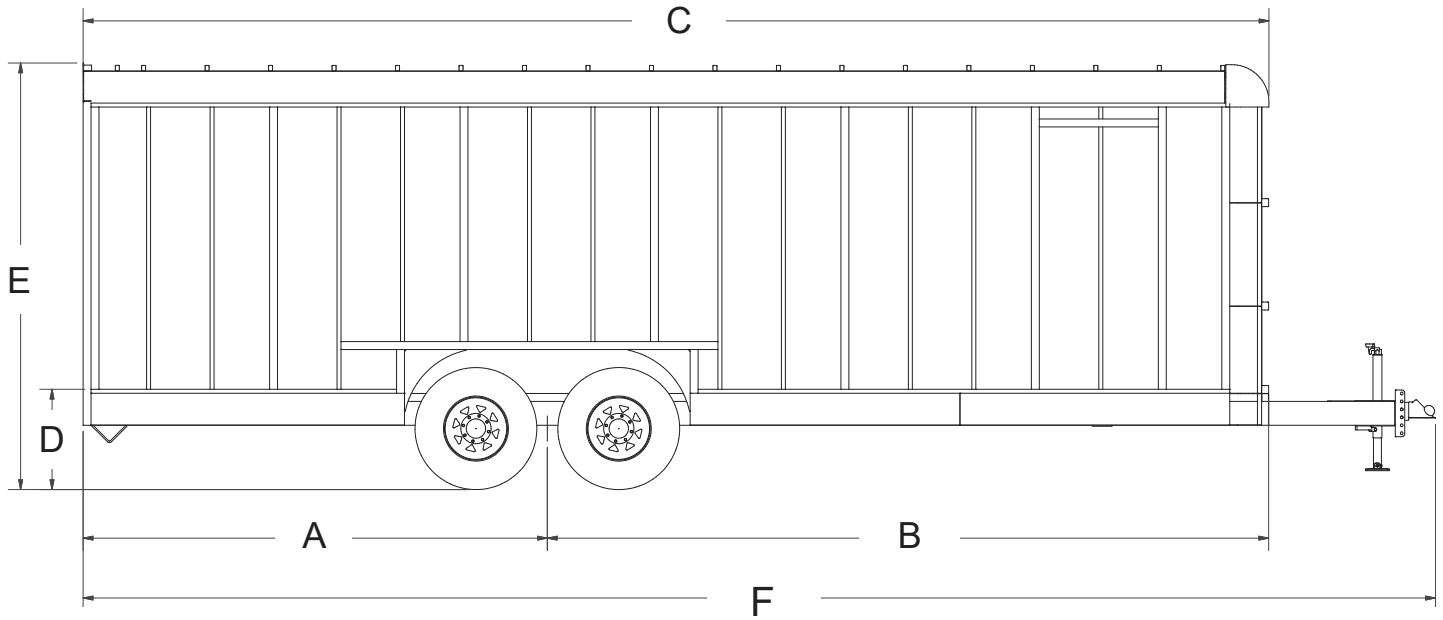
Standard Features

Standard LT Cargo features PLUS:

- Available in A-frame or Gooseneck
- Radius front wall with composite nose cap
- Radius top RV Door
- Galvannealed steel cove roof
- Aluminum wheels
- Screwed interior 3/8" plywood wall
- Torsion axles
- Mezzanine Nudo Poly 3/4" flooring
- Four flush mount floor tie-downs

Specifications

Axle:	(2) 7,000 lb. Lippert Torsion	Crossmembers:	Steel HSS 2.0" X 2.0"
Brakes:	Electric Self-Adjusting	Floor:	3/4" Nudo Poly Floor
Coupler:	21,000 lb. Demco Adjustable	Walls:	3/8" Plywood
Jack:	5,000 lb. Top-Wind	Wheels:	235/80R16 E Aluminum
Side Door:	30" x 72" with RV Latch	Electric Plug:	7 Wire Plug
Floor D-Rings:	2,000 lb.	Ramp:	800 lb. Midspan
Main Rails:	Steel HSS 6.0" X 2.0"		



Dimensions

Model	A	B	C	D	E	F
CHT70-816-78	77"	125 13/16"	202 13/16"	25"	113 5/16"	244 11/16"
CHT70-820-78	97"	153 13/16"	250 13/16"	25"	113 5/16"	292 11/16"
CHT70-824-78	117"	181 13/16"	298 13/16"	25"	113 5/16"	340 11/16"

Model	Rear Door Entrance	Space Between Fenders
CHT70-816-78	89.0"W X 78 3/4"H	81"
CHT70-820-78	89.0"W X 78 3/4"H	81"
CHT70-824-78	89.0"W X 78 3/4"H	81"

Model	Description	Net Weight	GVWR	Payload Cap.
CHT70-816-78	8' x 16' x 78" wall height, 7,000 lb. Tandem Axle	3,315 lb.	15,400 lb.	12,085 lb.
CHT70-820-78	8' x 20' x 78" wall height, 7,000 lb. Tandem Axle	3,712 lb.	15,400 lb.	11,688 lb.
CHT70-824-78	8' x 24' x 78" wall height, 7,000 lb. Tandem Axle	4,109 lb.	15,400 lb.	11,291 lb.



Specs are subject to change without notice. Please contact Southland Trailer Corp Product Specialist for price confirmation on all Products. - Revised September 2024