

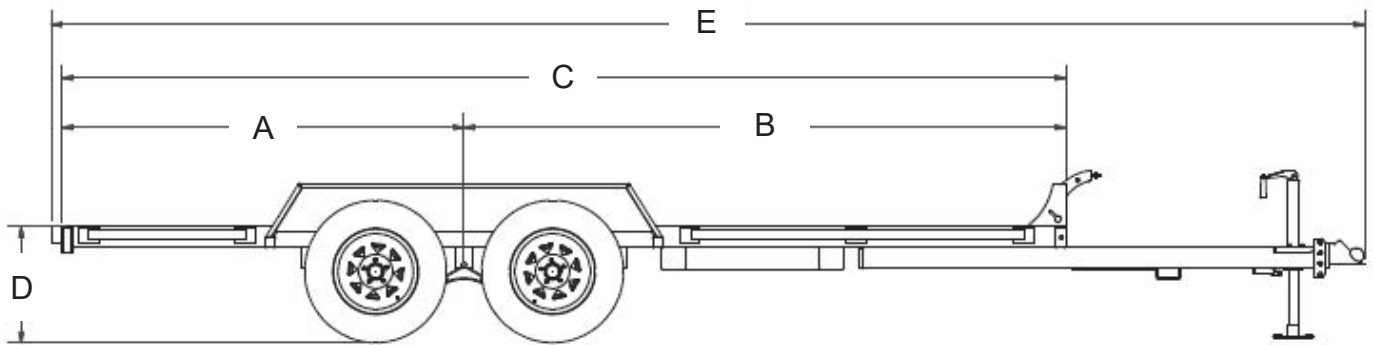


Standard Features

- Fully Enclosed Wiring w/LED Lights
- Bolted Fenders
- Available in straight deck or beavertail
- Available with slide in or fold up ramps
- Stabilizer jacks standard on slide-in ramps
- High tensile steel I-beam crossmembers
- HSS Structural Tubing Frame
- HD Fir Decking
- Bolted Drop Leg Jacks
- Stake pockets and rub rail

Specifications

Axle:	(2) 3,500 lb Lippert Spring	Frame:	5 X 2 HSS
Suspension:	Multi-Leaf Spring w/ Equalizer	Ramp:	Slide In or Flip Up, 2,500 lb
Wheels:	205/75R15 C Steel	Crossmember:	3" I-Beam 80 KSI
Brakes:	Electric Self Adjusting	Tongue:	4 X 2 HSS
Jack:	2,000 lb Top Wind Bolted	Deck:	HD Fir Plank
Coupler:	10,000 lb Stamped	Electric Plug:	7 Wire RV



Dimensions

Model	A	B	C	D	E	F	G	H
LBAT35-16	76 1/2"	115 1/2"	192"	21 3/4"	246 1/2"			
LBAT35-18	85 1/2"	130 1/2"	216"	21 3/4"	270 1/2"			

Model	Description	Net Weight	GVWR	Payload Cap.
LBAT35-16	16' 3,500 lb. Tandem Axle Black	1,590 lb	7,700 lb	6,110 lb
LBAT35-18	18' 3,500 lb. Tandem Axle Black	1,740 lb	7,700 lb	5,960 lb



Specs are subject to change without notice. Please contact Southland Trailer Corp Product Specialist for price confirmation on all Products. - Revised January 2024